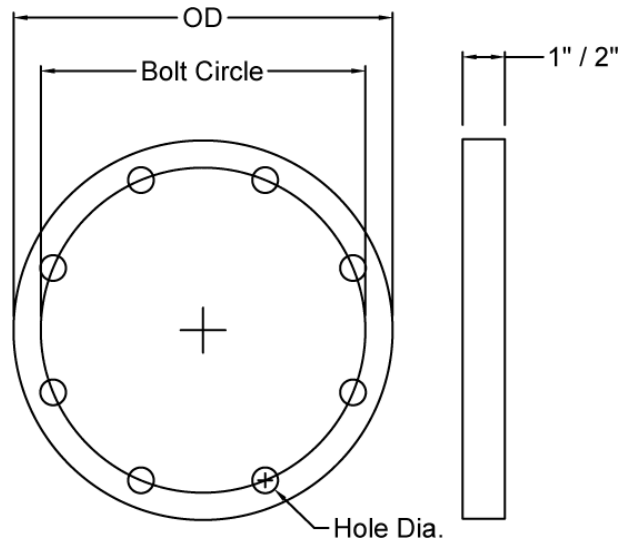


Blind Flanges

IPS/DIPS HDPE Blind Flanges

- Commonly used for closure or night-capping of flanged pipes.
- HDPE Blind flanges are not pressure rated
- Metal backup ring required for sealing at moderate pressures



Size [inch]	Part No.	OD [inch]	Bolt Circle [inch]	Hole Dia. [inch]	Holes (ea)	Weight - 1" Thk (lbs)	Weight - 2" Thk (lbs)
2		6.00	4.75	3/4	4	4.00	1
3		7.50	6.00	3/4	4	5.25	1
4		9.00	7.50	3/4	8	6.75	1
6		11.00	9.50	7/8	8	8.63	2
8		13.50	11.75	7/8	8	10.88	2
10		16.00	14.25	1	12	13.25	3
12		19.00	17.00	1	12	16.00	4
14		21.00	18.75	1-1/8	12	17.63	5
16		23.50	21.25	1-1/8	16	20.13	7
18		25.11	22.75	1-1/4	16	21.50	9
20		27.50	25.00	1-1/4	20	23.88	21
24		32.00	29.50	1-3/8	20	28.13	31
26		34.25	31.75	1-3/8	24	32	37